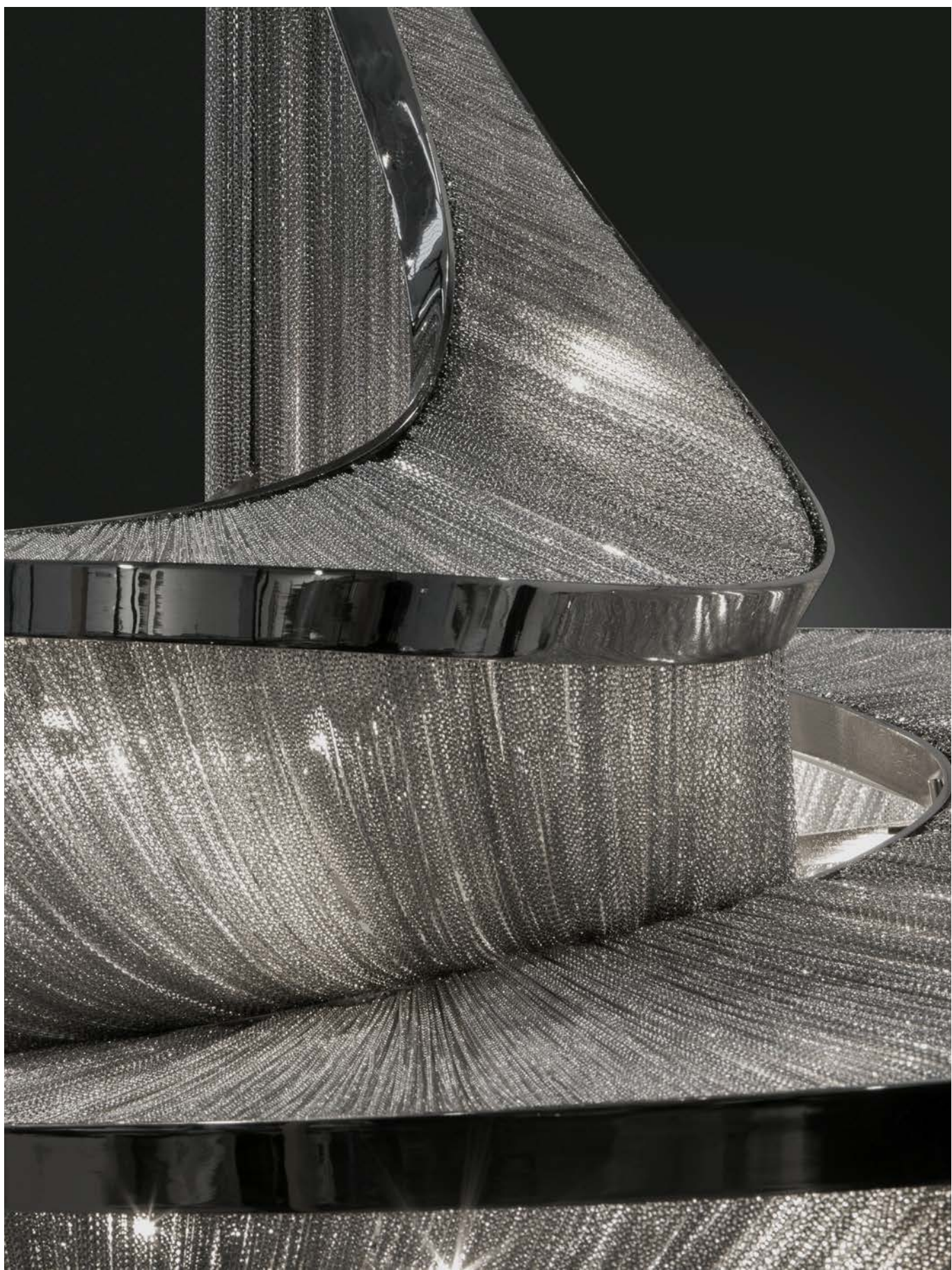


Epoque, Cyclical *Light.*

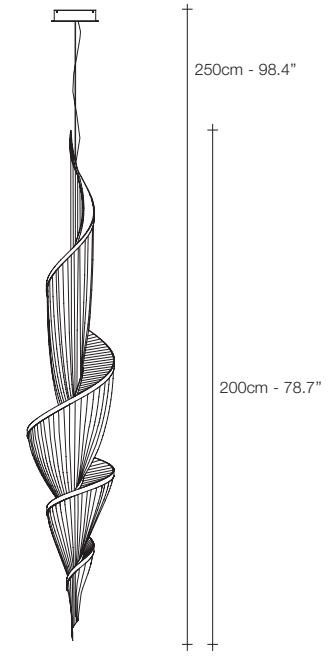
Epoque is a light sculpture designed to study chiaroscuro and volumes. The result is a modern expression of these Renaissance-era techniques in a stunning chandelier. Composed of curved, organic lines, Epoque's frame is made of flexible and durable brass metal, suspended by nickel metal chains. Two bands of metal, a central elongated section and an external band of wide arcs, allows the light to envelop a room in reflections of soft light. Epoque has attracted attention from those in the design community with discerning tastes. Epoque is available in nickel, black nickel, gold and bronze finish. Design Stefano Papi & Saviz Yaghmai.



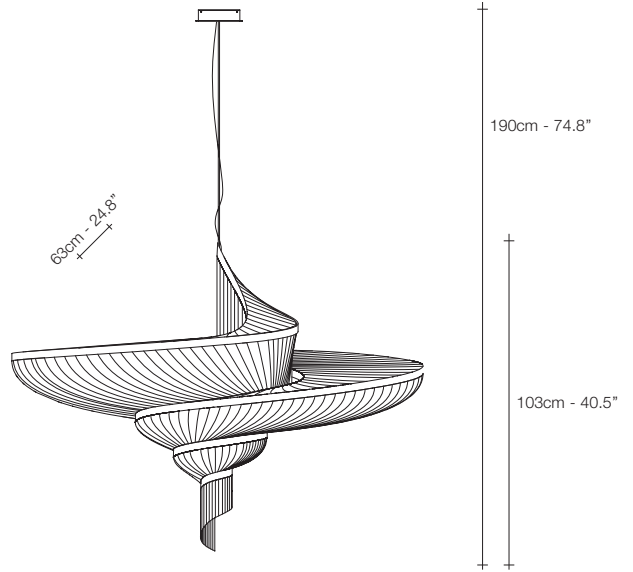








Ø35cm - 13.8"
G91S



63cm - 24.8"
136cm - 53.5"
G90S



NICKEL



BLACK NICKEL



BRONZE



GOLD PLATED

		G91S	G90S
230V	Replaceable LED module	12x2,1W	20x2,1W
	3000K	2328lm	3880lm
	2700K	2064lm	3440lm
	Dimmable	0/1-10V PUSH/DALI	PUSH DALI
120V	Replaceable LED module	12x2,1W	20x2,1W
	3000K	2328lm	3880lm
	2700K	2064lm	3440lm
	Dimmable	0/1-10V PUSH/DALI	1-10V PWM 10-100kΩ

Epoque can be manufactured to work with 3000K or 2700K LED. Different dimming options on request

